



CRONOS[®]

Water Quality Analyser
Water Quality Monitor
Water Quality Controller
Water Quality Instrument



High Quality-Low Cost

Part of a range of controllers, the CRONOS[®] is the little brother of the CRIUS[®]. The CRONOS[®] is a high quality, low cost transmitter designed to give water treatment engineers everything that they need from a transmitter and nothing that they don't.

Superior Communications

With no frills, costs can be kept to a minimum whilst optional comms packages allow Profibus, Modbus ASCII, Modbus RTU, Modbus TCP, 4-20mA analogue outputs, and relays for alarms and control.

PID Control Options

CRONOS[®] has the capability to control up to two sensors of any type with appropriate analogue outputs and relays. Equipped with optional PID control CRONOS[®] is very able to control complex water treatment processes at a fraction of the cost of other controllers.

Proactive Sensor Maintenance

For each sensor the CRONOS[®] will prompt users through calibration procedures and will remind them when maintenance is due for each sensor type.

Customers requiring additional functionality such as a colour display, downloadable data logs, or remote access via the internet should consider a CRIUS[®] controller.

CRONOS[®] + Sensors = Product Name

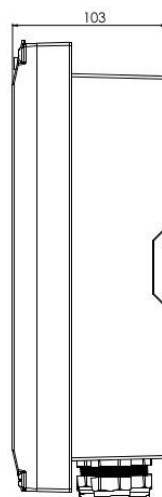
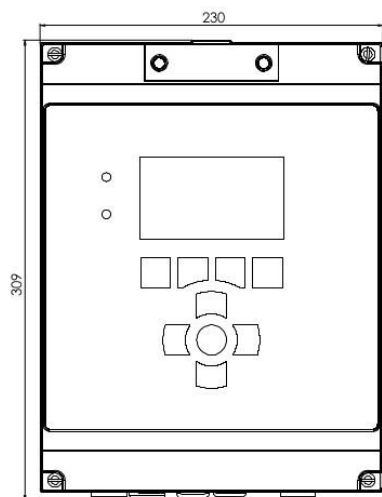
Free/Total Chlorine Analyser	HaloSense
Chlorine Dioxide Analyser	DioSense
Ozone Monitor	OzoSense
Dissolved Oxygen Meter	OxySense
Suspended Solids Monitor	SoliSense[®]
Streaming Current Monitor	StreamerSense
pH Analyser	pHSense
ORP Analyser	ORPSense
Organics Monitor	UV254Sense
Online Conductivity Monitor	ConductiSense
Particle Counter	CounterSense
Filter Monitor (Particle Counter)	FilterSense
Turbidity Meter	TurbSense[®]
Fluoride Monitor	FluoriSense
Peracetic Acid Analyser	PeraSense
Hydrogen Peroxide Analyser	PeroxiSense

Each 'Sense' analyser has its own brochure, detailing applications and common accessories. Please click on the product name above if you are online. If not, please visit the [website](#) to access all Pi's product brochures.

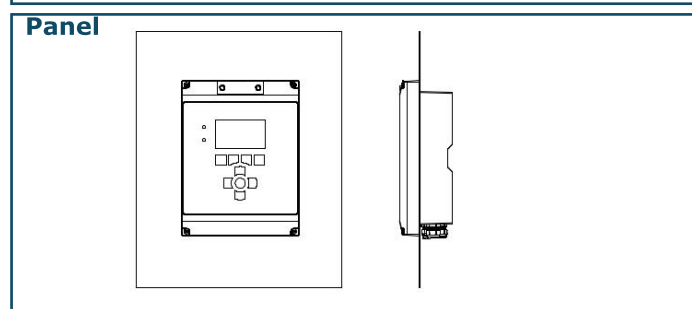
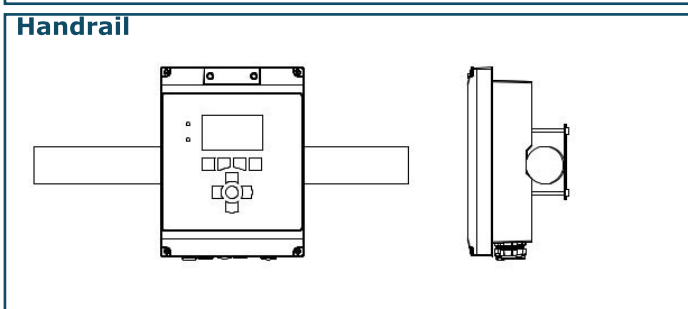
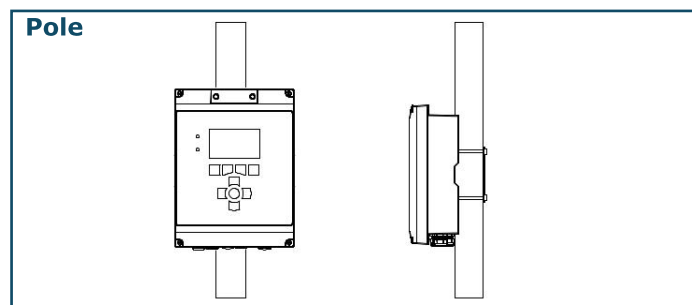
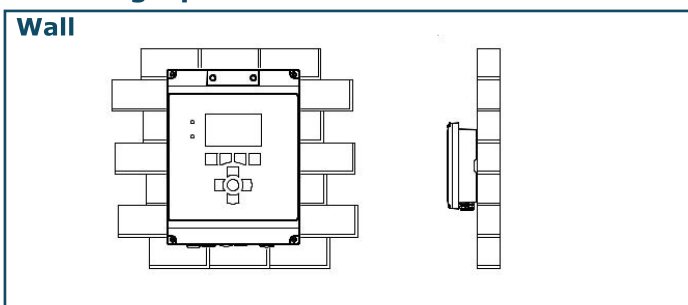
CRONOS[®] CRIUS[®]

Highest quality sensors	•	•
Multilingual	•	•
System logger	•	•
On display trending	•	•
Event logger	•	•
Download logs	Optional	•
PID controls	Optional	Optional
Up to 2 sensors	•	•
Up to 4 sensors		•
Expandable up to 16 sensors		Optional
Analogue outputs V and mA	•	•
Isolated universal inputs & outputs	•	•
Large high resolution display	•	•
Colour display	Optional	•
Up to 8 relays	•	•
Expandable up to 32 relays		Optional
Up to 8 digital inputs	•	•
Expandable up to 32 digital inputs		Optional
Remote internet access		Optional
GSM/GPRS/3G/4G integrated modem		Optional
Remote Access LAN		Optional
Profibus	Optional	Optional
Modbus ASCII/RTU serial	Optional	Optional
Modbus TCP (LAN enabled)	Optional	Optional
AC/DC (110-240VAC, 12VDC)	•	•
Wall and Panel mountable	•	•
Pole and handrail mountable	•	•
IP65/Nema 4X enclosure	•	•
Fire retardant ABS Enclosure	•	•

Dimensions



Mounting Options



Specification*

CRONOS®

Power Requirements	100-240 VAC/0.25 A or 12 VDC/0.8 A
Languages	Any non pictogram by request Any Latin, Cyrillic, Hellenic
Inputs	Up to 2 configurable sensor inputs; 4-20mA, 4-20mA loop-powered, 0-2 VDC, +/- 1200 mV for pH, ORP, or ISEs, PT100, potentiometric, pulse and Modbus. Unused inputs can be used as outputs. Up to 8 digital inputs
Outputs	Up to 2 dedicated configurable analogue outputs; 0-20mA, 4-20mA, 0-1 VDC, 0-10 VDC, 1-10 VDC. Up to 8 SPDT electromechanical relays rated 10A at 250 VAC and 5A at 30 VDC
Alarms	2 user configurable alarms with deadband and delay for each parameter and control output
Thresholds	2 user configurable thresholds (for control) with deadband and delay for each measurement and control output
PID	Configurable flow proportional PID - multiple loops
Communication (Optional)	Modbus ASCII/RTU (RS485) Profibus DP Modbus TCP (Ethernet)
Memory Backup	All user configuration is stored in non-volatile on-board flash memory
Enclosure	ABS flame retardant IP65, Nema 4X
Dimensions (mm)	230 x 309 x 103
Display	4.3", 480 x 272, 8 bit, greyscale (4.3", 480 x 272, 24 bit colour optional)
Weight	2 kg
Warranty	12 months from date of purchase (longer warranty optional)
Data Logging	Internal - Single parameter data log or status message log over 1 million records (downloadable data logs optional)

**All subject to change without notice*